



Series C-600 Dosing pump



WaterJet Series C-600 Dosing pump

The C-600 is designed to inject chemicals into piping systems. All models are equipped with a top mounted mechanical flow rate adjustment knob. Optional on/off cycling timers are available.

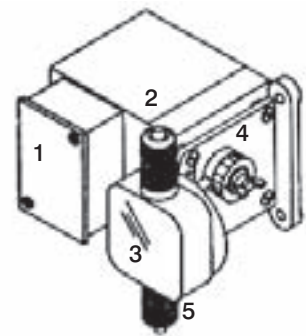


Specifications:

Maximum Working Pressure	125 psig/8.6 bar
Maximum Fluid Temperature	130° F/54°C
Output Accuracy	+/- 10% of maximum (water @ 70°F, 0psig and 5' suction lift)
Ambient Temperature Range	14 to 110°F/-10 to 43°C
Enclosure	Zinc – Metal
Duty Cycle	Continuous
Maximum Viscosity	1,000 Centipoise
Maximum Suction Lift	up to 10ft water
Power Requirements	115V 60Hz 45 watts 220V 60Hz 45 watts 230V 60Hz 45 watts 24V 60Hz 45 watts
Dimensions	6 1/2" high x 6 1/2" wide x 5 3/4" deep
Weight	8lb.

Features:

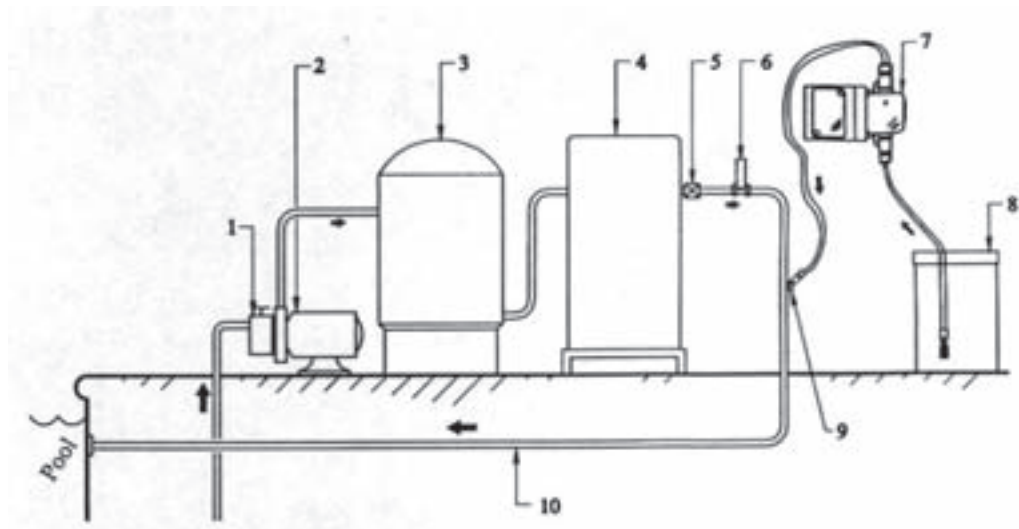
- Double-ball ceramic check valve
- PVDF (Kynar) valve assemblies
- Viton O-rings
- High outlet pressure capability of 125 PSIG*
- Easy access, side mounted mechanical feed rate adjustment
- Ball bearing supported motor drive shaft
- Permanently lubricated ball bearing motor
- Easy servicing
- Includes suction foot tube valve & strainer, suction tube weight, suction tubing, discharge tubing and injection fitting with internal back-flow check valve and mounting hardware.



1. Junction box
2. Top valve fitting
3. Pump head
4. Output adjustment (Cam cover not shown)
5. Bottom valve fitting

*Most models

1. Strainer
2. Circulation Pump
3. Filter
4. Heater
5. Check Valve
6. Flowmeter Blue-white F-300
7. Injector Blue-white C-600
8. Solution Tank
9. Injection Fitting
10. Return Line



Waterjet Corporation Pty Ltd
P.O. Box 360 Arundel Business Centre,
Arundel Qld 4214 Australia
Phone: +61 7 5594 0100 • Fax: +61 7 5594 0199
E-mail: waterjet@waterjet.com.au
internet: www.waterjet.com.au

DISTRIBUTED BY: